

FI

MEDIUM DUTY



FUSO FI

DIMENSIONS & WEIGHT		FI 1217R
Overall Length / Width / Height	(mm)	8,475 / 2,210 / 2,480
Wheelbase	(mm)	4,800
Wheel Tread (Front / Rear)	(mm)	1,790 / 1,695
Cab to Rear Axle (CA)	(mm)	4,405
Cab to End Frame (CE)	(mm)	6,805
Curb Weight	(kg)	4,060
Payload	(kg)	7,930
Gross Vehicle Weight (GVW)	(kg)	11,990
ENGINE & TRANSMISSION		
Model		4D37-125
Type		4-Stroke Direct Injection Diesel with Turbocharger
Cylinders		4 In-line
Displacement	(cc)	3,908
Max. Power	(Ps / rpm)	172 / 2,500
Max. Torque	(N-m / rpm)	520 / 1,500
Fuel Tank Capacity	(L)	200
AdBlue Tank Capacity	(L)	32
Transmission (Type)		6 Forward and 1 Reverse M/T (Synchromesh Type)
AXLE		
Front / Rear		Reverse Elliot / Fully Floating
SUSPENSION		
Front		Semi-Elliptic Multi-Leaf Spring with Telescopic Shock Absorber
Rear		Semi-Elliptic Multi-Leaf Spring
BRAKE		
Service		Fully Air S-Cam, Dual Circuit
Parking		Pneumatically Operated Spring Actuator with Hand Brake Valve Acting on Rear Axle
Auxiliary		Engine & Exhaust
TIRE & WHEEL		
Tire (Front / Rear)		Radial 8.25 R20
Wheel		6.5 x 20
STEERING		
Gear Type		Hydraulic Power Assisted
Power Steering		Equipped
Steering Wheel Adjust		Tilt and Telescopic with Steering Lock
SAFETY		
Seatbelt		3 pt. ELR x2 and 2 pt. Lapbelt (Center),
Seatbelt Reminder		Equipped
Collapsible Steering Wheel		Equipped
Side Impact Beams		Equipped
ELECTRICAL SYSTEM		
Battery / Alternator		24V / 80A

Photos and specifications may vary from actual unit. Sojitz Fuso Philippines reserves the right to change specifications without prior notice.

FUSO

SOJITZ FUSO PHILIPPINES CORPORATION

FUSO



*2 yrs or 100,000 KMs whichever comes first

MITSUBISHI FUSO Authorised Distributor
SOJITZ FUSO PHILIPPINES CORPORATION
www.fuso.com.ph

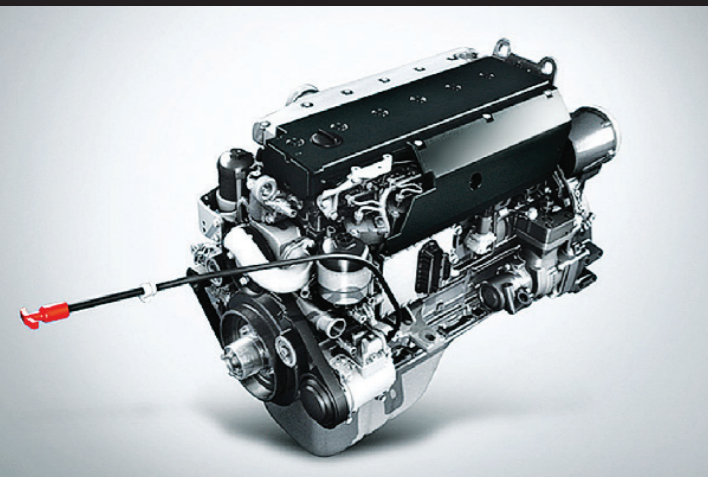
FI



(Reefer Van optional rear body)



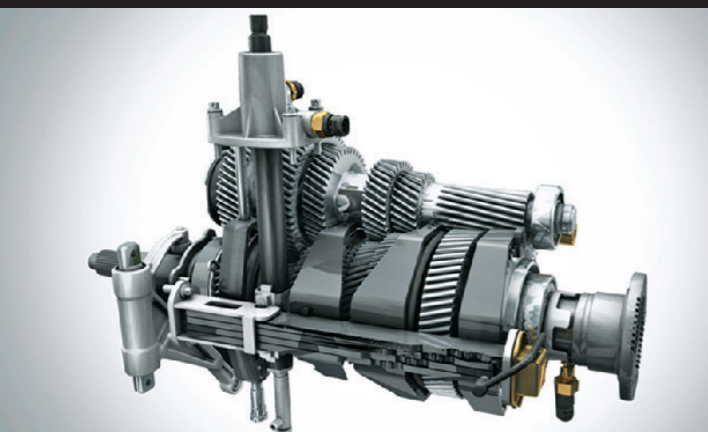
(Dropside optional rear body)



The fuel-efficient, direct injection diesel engines of the FI1217R combines high output and flat torque for power hungry applications while lowering operational costs.



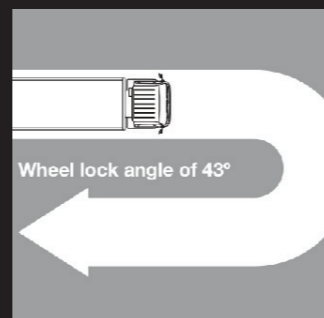
The aerodynamic cab design of the FI reduces wind resistance thus reducing cabin noise while increasing fuel efficiency. The frame is shot-peened and powder coated to prevent corrosion and increase durability. Higher flange width and web height also offer stability and load bearing ability leading to longer frame life while the alligator type cross members make it exceptionally strong.



Smooth, durable six-speed manual transmission



Side impact beam



9.3m turning radius



Spacious and comfortable cabin. The adjustable seats and tilt and telescopic adjustable steering wheel allow for the best possible driving position thereby reducing driver fatigue.



The intelligent meter cluster provides all the necessary information



Power locks and door window further add convenience